

ELEGRP

LIFE PROTECTIVE DEVICE

Create a safe electricity atmosphere

ELEGRP

contact@elegrp.com

1-866-267-3272

<https://www.elegrp.com>



ELGGRR

The image features the word "ELGGRR" in a large, bold, sans-serif font. Each letter is filled with a different cityscape scene, likely New York City, showing skyscrapers, bridges, and boats on the water. The letters are set against a background of a blue sky with white clouds. The overall aesthetic is clean and modern.

Life Protective Device



Electricity scenes can be seen everywhere in our daily life, so how to use electrical appliances safely is particularly important. We will be much safer when using electrical appliances with life protective device. The principle of life protective device is very simple which is the power consumption exceeds a certain value, the device will automatically power off.

Portable GFCI



- Portable GFCI's (Ground Fault Circuit Interrupters) offer protection for 2 wire or 3 wire appliances and tools.
- The bright "Green" light indicates when the power is "ON" .
- Rainproof, polycarbonate enclosure provides long service life and excellent resistance to harsh weather.
- Manual Reset Cord Sets will NOT automatically reset ON when power is applied or restored after a power interruption — RESET button must be actuated.
- Automatic Reset Cord Sets will automatically reset ON when plugged in or when power is restored after a power interruption.
- Portable GFCI are perfect for use in a variety of temporary power applications, such as recreation and marine vehicles, portable pools and generators, submersible pumps, vending machines and more.
- UL and CUL listed, and also UL Recognized.
- Test Every 5 Seconds - The GFCI outlet automatically conducts a self-test (auto-monitor) every 5 seconds to ensure the GFCI is continually working to protect people from electrocution, which exceeds the UL standards of self-test frequency of 3 hours.
- GFCI features surge protection and lightning protection function withstanding 6 kilovolt. Performed 6000+ times factory test, which is twice the testing times of UL standard.
- 12-gauge (12/3) SJTW soft drawn copper cabling, heavy cord with poly stranding for additional strength.

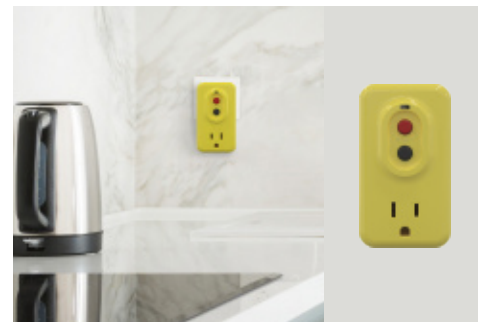


In-line Type GFCI

Water Resistant GFCI - Auto Reset GFCI (Ground Fault Circuit Interrupter) with LED indicator reaches Level IP65 water proof.

3 Way Outlets - Allow for 3 equipment to be plugged in at once. The maximum total output power of the three outlets is 1875W (15A, 125V).

Applications - Durable industrial materials suit both for indoor and outdoor use in a variety of power pressure washer, pool pump, generators, vacuum cleaner, pumps, heaters, household electrical appliances, chargers, etc. UL & CUL Listed.



Outlet Adapter Type GFCI

Compact Size - This GFCI adapter is small in size, makes it perfect for the toolbox and offers portable leakage protection for users and devices whenever needed.

Applications - Versatile Portable GFCI adapter is a great way to take safety with you and is suitable for indoor use in your bathroom, kitchen, basement and garage



Compact plug-in Type GFCI

Compact Design - Compact design, can be placed in the waterproof box matched with ELEGRP.

Water Resistant GFCI - Auto Reset GFCI (Ground Fault Circuit Interrupter) with LED indicator reaches Level IP65 water proof.

3 Way Outlets - Allow for 3 equipment to be plugged in at once. The maximum total output power of the three outlets is 1875W (15A, 125V).

Applications - Durable industrial materials suit both for indoor and outdoor use in a variety of power pressure washer, pool pump, generators, vacuum cleaner, pumps, heaters, household electrical appliances, chargers, etc.



Standard Plug-in Type GFCI

Water Resistant GFCI - Auto Reset GFCI (Ground Fault Circuit Interrupter) with LED indicator reaches Level IP65 water proof.

3 Way Outlets - Allow for 3 equipment to be plugged in at once. The maximum total output power of the three outlets is 1875W (15A, 125V).

Applications - Durable industrial materials suit both for indoor and outdoor use in a variety of power pressure washer, pool pump, generators, vacuum cleaner, pumps, heaters, household electrical appliances, chargers, etc.

Leakage Current Detection and Interruption

- These are power supply cords provided with Leakage Current Detection and Interruption (LCDI). They consist of a length of shielded flexible cord with no termination on the load end and an LCDI attachment plug on the line end.
- These LCDIs are intended to trip if the nominal leakage between the cord shield and either load conductor exceeds a predetermined value. This is intended to reduce the possibility of a fire in the load side shielded cord.
- The cord shields are not grounded and they must be considered a shock hazard if they are exposed. They must not be connected to ground or to any exposed metal.
- This product has been evaluated and determined to be suitable for air conditioner loads in accordance with UL1699.



Protection Technology - The LCDI (Leakage Current Detection Interrupter) utilizes built-in shielded power conductors to sense breakage of hot line and white line in the power cord, avoiding the fire caused by arcing due to the aged power cord and leakage current.

Security Assurance - If a leakage current less than 5mA between the shield wire and the Neutral or Hot wire is detected, the LCDI immediately trips to interrupt the flow of electricity within 0.5s.

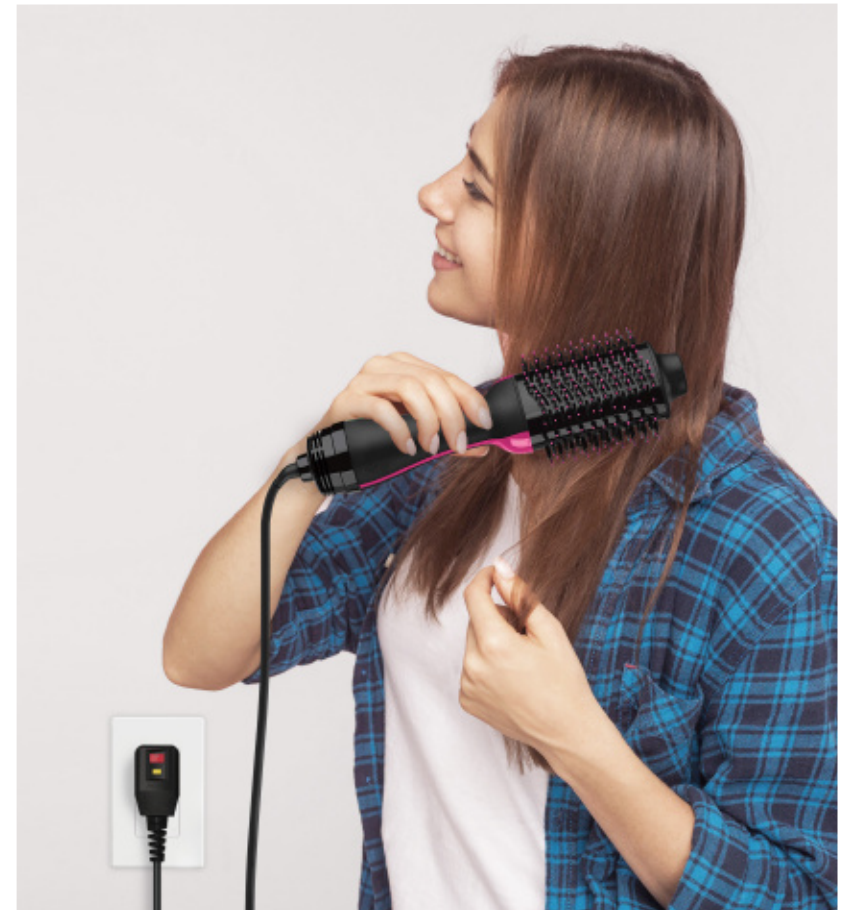
Suitable for A/C - The LCDI power cord is suitable for air conditioner loads, such as portable air conditioners, window air conditioners and PTAC (Packaged Terminal Air Conditioner) for indoor use.

Easy Installation - Comes with a 18AWG x 3C power cord of about 2.2 meters long with terminals for Hot wire (black), Neutral wire (white) and Ground wire (green) for easy wiring. Rated 120 Volt 10 Amp, 1200 Watt.

UL Certificated - Designed and tested in accordance with UL. Meet UL1699 requirements.

Appliance Leakage Circuit Interrupter

- Appliance Leakage Circuit Interrupter is a device intended for protection of personnel from electrical shock hazards. Hair dryer is one typically of an appliance requiring an ALCI.
- ALCI will shut down the power to the appliance when there is a ground fault current of 6mA or more but not less than 4mA.
- Ground fault is a problem in an electrical system or appliance that has an unintentional electrical connection between a part of the appliance operating normally at some potential to ground, which can cause serious injury or even death if the personnel are exposed to it and the appliance has no ALCI or GFCI protection.
- UL approved ALCI is accepted by either UL approved appliances.



Always Safe - ALCI (Appliance Leakage Circuit Interrupter) plug is a device intended to protect people from electrical shock hazards caused by the ground fault. The ALCI will shut down the power immediately to the appliance when there is a ground fault leakage current between 4mA~6mA.

Perfect for Hair Dryers - The hair dryer is a typical appliance required to be protected by ALCI as per the latest requirement of UL859. Unique dual voltage rated 120/240VAC 60Hz makes the ALCI plug perfectly working with all types of hair dryers. Excellent tiny appearance and light-weight design are in line with the aesthetic of American women - the major purchaser of hair dryers.

Patented - The ALCI plug is covered by intellectual property rights and patents. Meet the latest UL943B standard. UL/CUL Listed.

Wide Application - The ALCI widely applies to the household appliances that are sold in the United States and North America, such as hair dryers, bathroom heaters, carpet cleaning machines, hair straighteners, curlers, electric scissors, electric woks, toasters, flatirons, electric heaters, electric irons, foot tubs, massagers, vacuum cleaners, electric tools, etc.

Portable Residual Current Devices

- Residual Current Protection: Trips if the current in the loop exceeds the value initialized in the PRCD. This function complies with the National Standard GB/T 20044-2012 <Electrical accessories-Portable residual current devices without integral over current protection for household and similar use (PRCDs)>.
- Supply cord protection: Protects the power supply cords with the American technical specified by UL1699. Trips when there is Current Leakage (<5mA), which may be caused by aging wire, wire abrasion and animals bite (specially designed against the damage caused by pet in the city, mouse in the countryside and unconsciously cutting by children).
- Ground charged protection: When "G" is charged, it will cut off the power supply automatically.
- Bolt overheating protection: It will cut off the power supply automatically when the temperature of the plug exceeds the setting value. (e.g.Poor quality socket causes the temperature rise up between socket and male plug).
- Power supply indicators function.



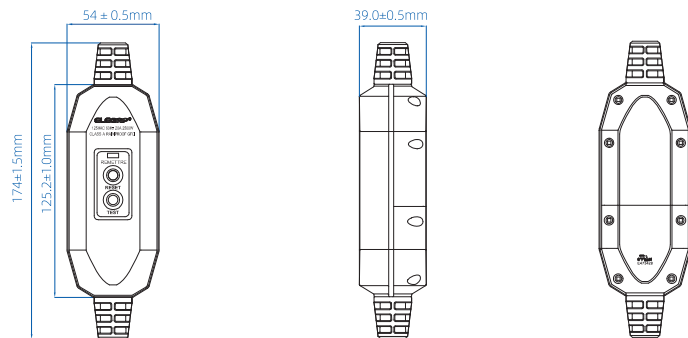


In-line Type GFCI

Safety Certification	E473428 (UL,CUL Certification)
Application Standard	UL943/CSA 22.2 No. 144.1 UL498/CSA 22.2 No.42
Operating Temperature Range	-35°C ~ +66°C
Rated Voltage	125Vac
Rated Current	GFCI 20A
Rated Frequency	60Hz
Rated Residual Operating Current	4mA ~ 6mA
Action Time for the Residual Current	$T = (20/I)^{1.43}mS$ 6mA ≤ 1S
Endurance	≥6000 times (3000 per UL standard)
Voltage Surge Withstand	6KV/3KA
Standard Cord Set	Configure the UL standard cord per clients' demands: 12AWG(20A), 14AWG(15A), 16AWG(13A), 18AWG(10A)
Reset	Auto-reset type and manual reset type could be configured as per client's demand
Colors	As per clients' demands (black BL101 is recommended in priority)
UL listed and UL recognized	UL certifications: configured as per client's demand before delivery
Waterproof Grade	UL50E 3R
Plug Configuration	5-15P, 5-20P, 1-15P, 1-20P (optional)

Dimensions

Height	174 ± 1.5mm
Width	54 ± 0.5mm
Depth	39 ± 0.5mm



Model: In-line Type GFCI

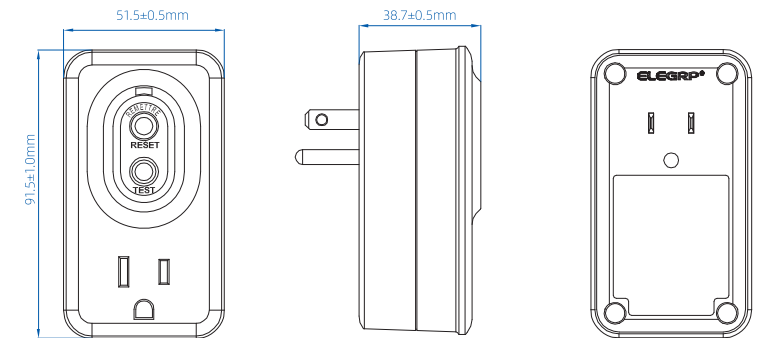


Outlet Adapter type GFCI

Safety Certification	E473428 (UL,CUL Certification)
Application Standard	UL943/CSA 22.2 No. 144.1 UL498A/CSA 22.2 No.42
Operating Temperature Range	-35°C ~ +66°C
Rated Voltage	125Vac
Rated Current	GFCI 20A
Rated Frequency	60Hz
Rated Residual Operating Current	4mA ~ 6mA
Action Time for the Residual Current	$T = (20/I)^{1.43}mS$ 6mA ≤ 1S
Endurance	≥6000 times (3000 per UL standard)
Voltage Surge Withstand	6KV/3KA
Standard Cord Set	Configure the UL standard cord per clients' demands: 12AWG(20A), 14AWG(15A), 16AWG(13A), 18AWG(10A)
Reset	Auto-reset type and manual reset type could be configured as per client's demand
Colors	As per clients' demands (black BL101 is recommended in priority)
UL listed and UL recognized	UL certifications: configured as per client's demand before delivery
Plug type	5-15P

Dimensions

Height	91.5 ± 1mm
Width	51.5 ± 0.5mm
Depth	38.7 ± 0.5mm



Model: Outlet Adapter type GFCI

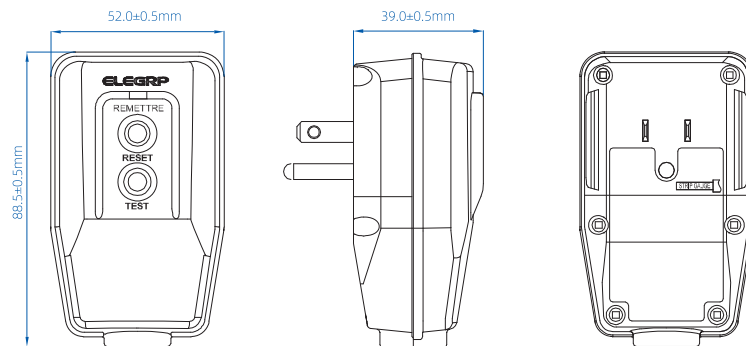


Compact Plug-in type GFCI

Safety Certification	E473428 (UL,CUL Certification)
Application Standard	UL943/CSA 22.2 No. 144.1 UL498/CSA 22.2 No.42
Operating Temperature Range	-35°C ~ +66°C
Rated Voltage	125Vac
Rated Current	GFCI 15A or 20A (optional)
Rated Frequency	60Hz
Rated Residual Operating Current	4mA ~ 6mA
Action Time for the Residual Current	$T = (20/I)^{1.43}mS$
Endurance	≥6000 times (3000 per UL standard)
Voltage Surge Withstand	6KV/3KA
Standard Cord Set	Configure the UL standard cord per clients' demands: 12AWG(20A)、14AWG(15A)、16AWG(13A)、18AWG(10A)
Reset	Auto-reset type and manual reset type could be configured as per client's demand
Colors	As per clients' demands (black BL101 is recommended in priority)
UL listed and UL recognized	UL certifications: configured as per client's demand before delivery
Waterproof Grade	UL50E 3R
Plug Configuration	5-15P、5-20P、1-15P (optional)

Dimensions

Height	88.5 ± 0.5mm
Width	52 ± 0.5mm
Depth	39 ± 0.5mm



Model: Compact Plug-in Type GFCI

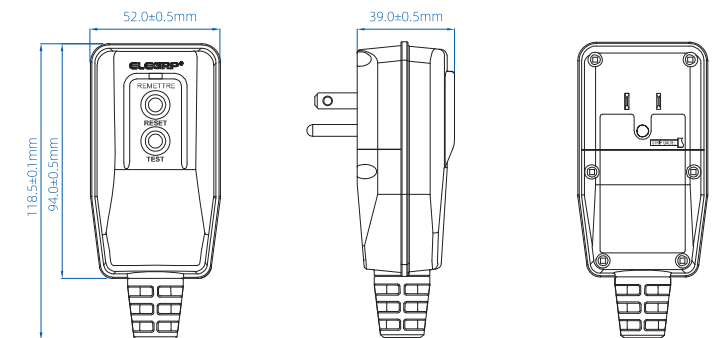


Standard Plug-in Type GFCI

Safety Certification	E473428 (UL,CUL Certification)
Application Standard	UL943/CSA 22.2 No. 144.1 UL498/CSA 22.2 No.42
Operating Temperature Range	-35°C ~ +66°C
Rated Voltage	125Vac
Rated Current	GFCI 15A or 20A (optional)
Rated Frequency	60Hz
Rated Residual Operating Current	4mA ~ 6mA
Action Time for the Residual Current	$T = (20/I)^{1.43}mS$
Endurance	≥6000 times (3000 per UL standard)
Voltage Surge Withstand	6KV/3KA
Standard Cord Set	Configure the UL standard cord per clients' demands: 12AWG(20A)、14AWG(15A)、16AWG(13A)、18AWG(10A)
Reset	Auto-reset type and manual reset type could be configured as per client's demand
Colors	As per clients' demands (black BL101 is recommended in priority)
UL listed and UL recognized	UL certifications: configured as per client's demand before delivery
Waterproof Grade	UL50E 3R
Plug Configuration	5-15P、5-20P、1-15P (optional)

Dimensions

Height	118.5 ± 0.1mm
Width	52 ± 0.5mm
Depth	39 ± 0.5mm



Model: Standard Plug-in Type GFCI



L15515 / L15515W

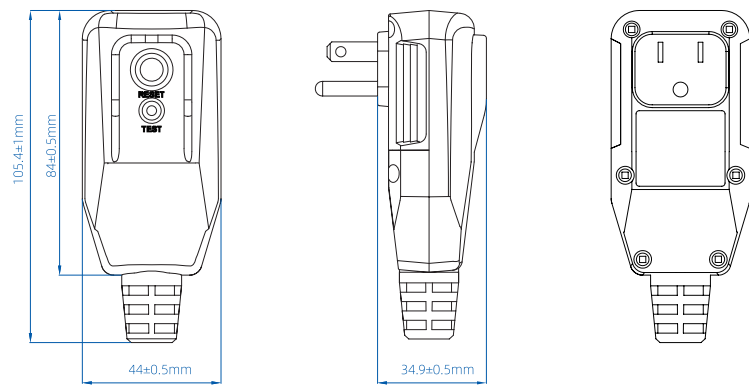


L15520 / L15520W

Rating (A. V.) & Wiring Specification	120V 10A 1200W	3×18AWG	120V 10A 1200W	3×18AWG
	120V 13A 1560W	3×16AWG	120V 13A 1560W	3×16AWG
	120V 15A 1800W	3×14AWG	120V 15A 1800W	3×14AWG
			120V 16A 1920W	3×14AWG
			120V 18A 2160W	3×14AWG
			120V 20A 2400W	3×12AWG
Plug Type	5-15P		5-20P	
Color	Optional		Optional	
UL File	E250451		E250451	

Dimensions

Height	105.4 ± 1mm
Width	44 ± 0.5mm
Depth	34.9 ± 0.5mm



Model: L15515 / L15515W
L15520 / L15520W
L15615 / L15615W
L15620 / L15620W



L15615 / L15615W



L15620 / L15620W

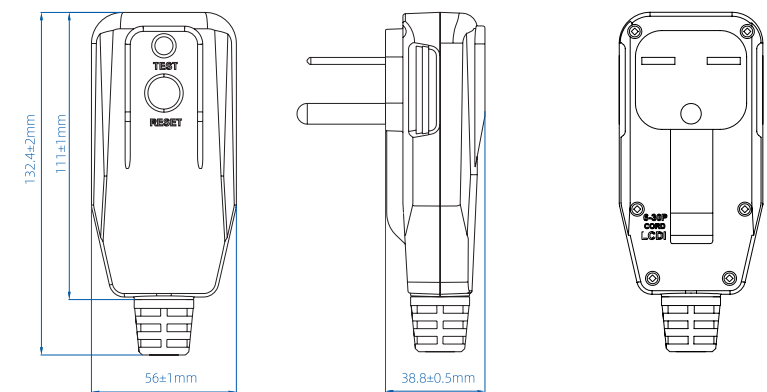


L15630 / L15630W

Rating (A. V.) & Wiring Specification	240V 10A 2400W	3×18AWG	240V 10A 2400W	3×18AWG	240V 20A 4800W	3×12AWG
	240V 13A 3120W	3×16AWG	240V 13A 3120W	3×16AWG	240V 25A 6000W	3×12AWG
	240V 15A 3600W	3×14AWG	240V 15A 3600W	3×14AWG	240V 30A 7200W	3×10AWG
			240V 16A 3840W	3×14AWG		
			120V 18A 4320W	3×14AWG		
			240V 20A 4800W	3×12AWG		
Plug Type	6-15P		6-20P		6-30P	
Color	Optional		Optional		Optional	
UL File	E250451		E250451		E250451	

Dimensions

Height	132.4 ± 2mm
Width	56 ± 1mm
Depth	38.8 ± 0.5mm



Model: L15630 / L15630W

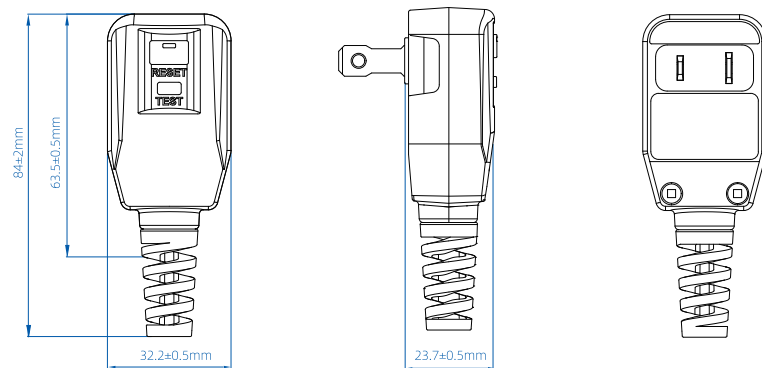


AL18

Rated Volts	125 / 250 VAC
Rated Current	Max 15 A (5A,7A,10A,12A, 13A,15A, according to wire specification)
Frequency	60 Hz
Tripping Current	4~6 mA
Tripping Time	≤25mS (T=(20/I) 1.4 ³ mS)
Applicable Standard	UL943B
Plug Configuration	1-15 P(Polarized)
Colors	Customizable
Applicable Cord Set	Customizable

Dimensions

Height	84± 2mm
Width	32.2 ± 0.5mm
Depth	23.7 ± 0.5mm



Model: AL18



P15 In-line Type

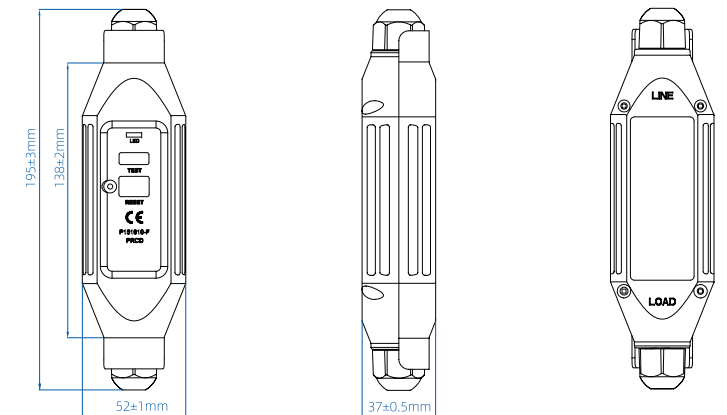


P151610-F/P151630-F

Features	This series product model is complete, additional optional function is much, applicable scope is wide.	CE/TUV Certified.	
Type	In-line Type(CCC)	In-line Type (CE)	In-line Type (CE) (TUV)
Voltage Rating	230VAC	230VAC	220-250VAC
Rated Current (Optional)	6A / 10A / 16A	16A	16A
Leakage Action Current (Optional)	3~6mA / 5~10mA 7.5~15mA / 15~30mA	5~10mA 15~30mA	5~10mA 15~30mA
Waterproof Rate(Optional)	IPX4 / IP65	IP65	IP65
Additional Features (Optional)	Opening and closing of PE line (E) Live ground line display (L)	N/A...	N/A...

Dimensions

Height	195 ± 3mm
Width	52 ± 1mm
Depth	37 ± 0.5mm



Model: P15 In-line Type
P151610-F / P151630-F



P15 Plug Type



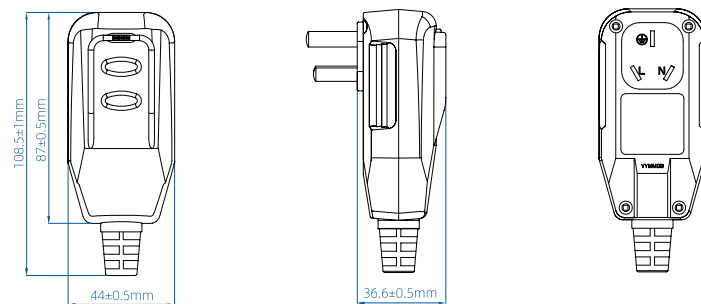
P18 series

Features	This series product model is complete, additional optional function is much, applicable scope is wide.	This series of products are small in size, low standby power consumption and high protection grade.
Type	Plug Type (CCC)	Plug Type (CCC)
Voltage Rating	230VAC	220VAC
Rated Current (Optional)	6A / 10A / 16A	6A / 10A
Leakage Action Current (Optional)	3~6mA / 5~10mA 7.5~15mA / 15~30mA	3~6mA / 5~10mA 7.5~15mA / 15~30mA
Waterproof Rate(Optional)	IPX4 / IP65	IPX4 / IP66
Additional Features (Optional)	Bolt overheating protection (B) Opening and closing of PE line (E) Live ground line display (L)	We can customize the appearance according to customer's requirement. Standby Power Consumption $\leq 0.3W$

Dimensions

Height	108.5 ± 1mm
Width	44 ± 0.5mm
Depth	36.6 ± 0.5mm

Model: P15 Plug Type



Height	75 ± 1mm
Width	34 ± 0.5mm
Depth	32.4 ± 0.5mm

Model: P18 Series

