

ELEGRP

LIGHTING CONTROL

Light up your home in a gentle night

ELEGRP

contact@elegrp.com
1-866-267-3272
<https://www.elegrp.com>



ALLEGRA

The word "ALLEGRA" is rendered in a large, white, sans-serif font. Each letter is filled with a different scene: 'A' shows a city skyline at night; 'L' features a tall skyscraper; the first 'E' depicts a city street with birds; 'G' shows a city skyline with a sailboat; the second 'E' features a city skyline with a boat; 'R' shows a city skyline with birds; and 'A' depicts a suspension bridge. The background is a light blue sky with white clouds.

Lighting Control



EASY LIGHTING CONTROL FOR EVERYONE!

ELEGRP lighting control system consists of sensor switch and dimmer switch, enabling you to enjoy a fantastic lighting atmosphere at any time. With high compatibility with your existing bulbs (supports LED, CFL, halogen, incandescent, dimmable and multiway bulbs), ELEGRP switch can turn your lights into "smart" lights. Unlike other switches, ELEGRP works in any home, of any age, as it does not require a neutral wire.



Dimmer Switch

With the improvement of living standard, people's requirements for lighting are greatly improved. So the dimmer came into being. Dimmer switch provides controllable light brightness for different scenes, and can directly replace the existing wall switch.

ELEGRP offers 4 types of dimmer switches with radically different exterior designs, so you can choose the right one for your lifestyle. ELEGRP will become your trusted brand by providing comfortable lighting for your home at all times.

Slide Dimmer Switch Series

Exquisite matte finish and frameless design complement today's decor. Tough thermoplastic housing shrugs off impacts and scratches. Rational design for comfortable and intuitive control. More than just a switch, it's a derivative of the smart lighting system in your home.



DM17 / DM17N

- Compatible with up to 150W dimmable LED /CFL bulbs as well as 600W Incandescent bulbs.
- Multiple Control, this series Can be used as single-pole or 3-way applications.
- Compared with standard switch, slide dimmer switch provides smooth and precise dimming performance as per your request so as to save energy.
- Easy to install: NO NEUTRAL WIRE REQUIRED - ideal for homes of all ages. Replace existing switch or dimmer in as little as 15 minutes. Ultra slim profile, easily fits in electrical box and wall plate.
- Adjustable initial brightness setting for different type of lights.
- Compatible with 99% of light bulbs on the market today.

Rocker Switch Slide Dimmer

No more worrying about not seeing the dimmer switch at night! The DM19 features a minimalist design with LED indicators and silky sliding buttons that are both stylish and practical. Compared to traditional switches, DM19 can create a more comfortable lighting atmosphere.



DM19

- Adjustable initial brightness setting for different type of lights.
- Compatible with 99% of light bulbs on the market today.
- Tough thermoplastic housing shrugs off impacts and is scratch proof.
- Modern ergonomic element incorporates with compact design saving more room for junction box and match your deco style
- Location Indicator LED Light, Optional On/Off status for personalized demand.
- Energy saving & long operating life.
- Antiskid Slid Bar.



Digital Toggle Dimmer Switch Series

Simple, concise and classic, the digital toggle dimmer switch DM101 comes with damping sense when turning on/off. The slider for full-range dimming control, located on the right side of the switch, is easy to adjust your preferred light brightness. The ultra-slim design makes the whole panel super neat!



DM101 / DM101S

- Compatible with up to 150W dimmable LED /CFL bulbs as well as 600W Incandescent bulbs.
- Convenient operation, on and off toggle switch with separate slider for full-range dimming control, fade-in start up and fluid movement.
- Easy installation, no removal of fins required for multi-gang installations.
- Classic and precise design, good match for creating room's ambiance.
- Slim and compact size for easy installation in a standard junction box.
- Compared with standard switch, dimmable toggle switch provides smooth and precise diming performance as per your request so as to save energy.
- Low end adjust, allow users to preset minimum lighting level to avoid flickering at lower diming levels and realize maximal dimming range. * (only for DM101S)

Rotary Dimmer Switch Series

ELEGRP Rotary Dimmer Switch is smartly designed to be easily found in the dark thanks to its location indicator LED light, and also become part of your interior design for creating room's ambiance. Its smooth and precise dimming performance with 270° rotary dimming control is ideal for your home lighting. The starting position of dimming can be customized, for example, from 9 o'clock or 12 o'clock.



DM102 / DM102S / DM102SL
DM103 / DM103S / DM103SL

- Compatible with up to 150W dimmable LED /CFL bulbs as well as 600W Incandescent bulbs.
- Convenient operation, push on and off switch with full-range rotary dimming control.
- Classic and precise design, good match for creating room's ambiance.
- Slim and compact size for easy installation in a standard junction box.
- Compared with standard switch, rotary dimmer switch provides smooth and precise diming performance as per your request so as to save energy.
- Low end adjust, allow users to preset minimum lighting level to avoid flickering at lower dimming levels and realize maximal dimming range. * (only for DM103S and DM103SL)
- The dimmer features a location indicator LED light making it easy for you to find in the dark. * (only for DM103SL)





Occupancy & Vacancy Sensor

Sensor switch refers to the human body infrared intelligent sensor switch, which is automatically sensed and activated when someone passes through the infrared sensor detection area.

Products are suitable for automatic lighting and ventilation in corridors, warehouses, garages, basements, bathrooms and other places, and truly realize the intelligent building and property management modernization.





Innovative PIR Technology

The ELEGRP motion sensor switch uses passive infrared (PIR) detection technology via a segmented Fresnel lens to monitor a room for occupancy. This specialized lens divides the field of view into sensor zones.

When a person passes into or out of a sensor zone, the sensor detects motion and switches the lights on. If the sensor detects human motion before the TIME delay elapses, the sensor will re-clock for another TIME setting cycle before it automatically turns off the loads. If the sensor switch is kept being triggered by human motions, it'll keep the light on until time delay elapses and no human motion is being detected during this period, or manually switched off.



ELEGRP



Adjustable Light Level

Detect ambient light to adjust lamp brightness



Adjustable Sensitivity

From 20% to 100%



Adjustable Delay Time

From 30 seconds to 30 minutes



Energy Savings

Save cost and energy by having the unused lights and fans turned OFF automatically, preventing the light from turning on if it is already bright. Never leave a light on by mistake again. Vacancy mode's manual-ON feature saves further energy by ensuring lights are only turned on when needed.



Hands Free

Keep your lighting control hands-free as you walk into your home with groceries or into the laundry room with a full basket. The motion sensor switch is ideal for rooms you typically enter with your hands full, regardless of whether they are located in the home or workplace.



Safety

ELEGRP SP170S motion sensor light switch is the safest choice for seniors, children, and employees, making sure that lights automatically turn ON allowing occupants to see where they are going to reduce the risk of trip-and-fall accidents.



Educational Facilities

Classrooms, restrooms,
laboratories, dormitories
and kitchens.



Residence

Living rooms, kitchens,
bathrooms, bedrooms,
porch, laundry rooms,
basements, garages, etc.



Restaurants and retail malls

Airports

Public areas, lounges

Commercial Offices



DM17



DM17N



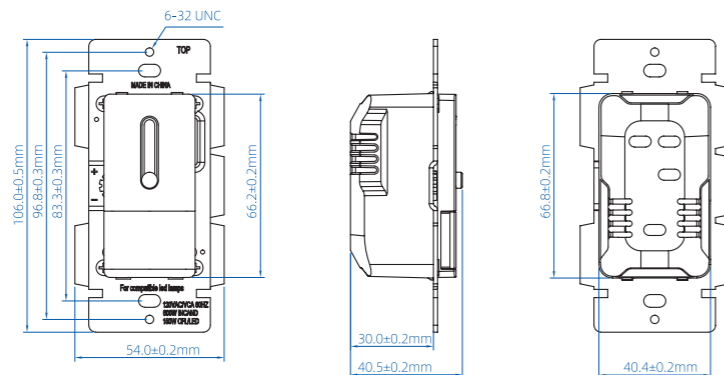
DM19

Rating Input	AC 120VC 60Hz	AC 120VC 60Hz	AC 120VC 60Hz
Rating Wattage	Incandescent 600W, LED / CFL 150W(1.5A)	Incandescent 600W, LED / CFL 150W(1.5A)	Incandescent 600W, LED / CFL 300W(1.5A)
Wiring Configurations	Single Pole / 3-Way	Single Pole / 3-Way	Single Pole / 3-Way
Switch Type	Slider Switch	Slider Switch	Slider Switch
Dimming Type	Slide Bar	Slide Bar	Slide Bar
Low-end Trim	x	√	x
LED Indicating Lamp	x	x	x
Fad on	√	√	√
Cover and Body Material	Thermoplastic	Thermoplastic	Thermoplastic
Flammability	V-2 per UL94	V-2 per UL94	V-2 per UL94
Operating Temperature	-10°C to 40°C	-10°C to 40°C	-10°C to 40°C
Storage Temperature	-40°C to 85°C	-40°C to 85°C	-40°C to 85°C
Termination	Back & Side	Back & Side	Back & Side
Terminal Accom	18-12 AWG	18-12 AWG	18-12 AWG
Standards	UL 1472	UL 1472	UL 1472
Certifications	UL / CUL Listed	UL / CUL Listed	UL / CUL Listed
FCC Part15B	√	√	√

Dimensions

Height	106 ± 0.5mm
Width	54.0 ± 0.2mm
Depth	40.5 ± 0.2mm

Model: DM17 / DM17N



DM101



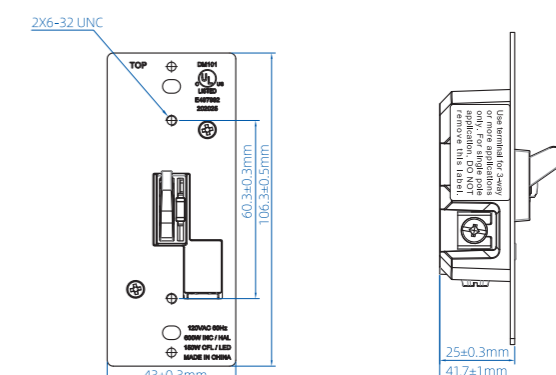
DM101S

Rating Input	AC 120VC 60Hz	AC 120VC 60Hz
Rating Wattage	Incandescent 600W, LED / CFL 150W(1.5A)	Incandescent 600W, LED / CFL 150W(1.5A)
Wiring Configurations	Single Pole / 3-Way	Single Pole / 3-Way
Switch Type	Toggle Switch	Toggle Switch
Dimming Type	Slide Bar	Slide Bar
Low-end Trim	x	√
LED Indicating Lamp	x	x
Fad on	√	√
Cover and Body Material	Thermoplastic	Thermoplastic
Flammability	V-2 per UL94	V-2 per UL94
Operating Temperature	-10°C to 40°C	-10°C to 40°C
Storage Temperature	-40°C to 85°C	-40°C to 85°C
Termination	Back & Side	Back & Side
Terminal Accom	18-12 AWG	18-12 AWG
Standards	UL 1472	UL 1472
Certifications	UL / CUL Listed	UL / CUL Listed
FCC Part15B	√	√

Dimensions

Height	106 ± 0.5mm
Width	43 ± 0.3mm
Depth	25 ± 0.3mm

Model: DM101 / DM101S





DM102



DM102S



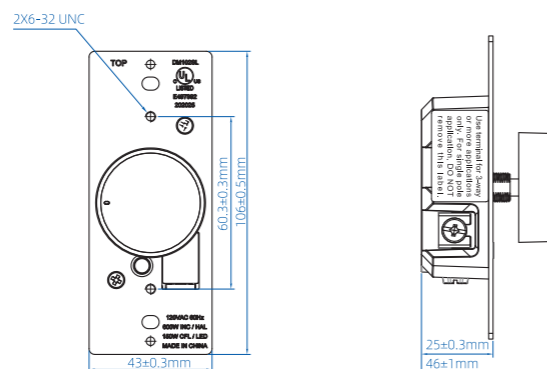
DM102SL

Rating Input	AC 120VC 60Hz	AC 120VC 60Hz	AC 120VC 60Hz
Rating Wattage	Incandescent 600W, LED / CFL 150W(1.5A)	Incandescent 600W, LED / CFL 150W(1.5A)	Incandescent 600W, LED / CFL 150W(1.5A)
Wiring Configurations	Single Pole / 3-Way	Single Pole / 3-Way	Single Pole / 3-Way
Switch Type	Push Switch	Push Switch	Push Switch
Dimming Type	Rotary dimming	Rotary dimming	Rotary dimming
Low-end Trim	x	√	√
LED Indicating Lamp	x	x	√
Fad on	√	√	√
Cover and Body Material	Thermoplastic	Thermoplastic	Thermoplastic
Flammability	V-2 per UL94	V-2 per UL94	V-2 per UL94
Operating Temperature	-10°C to 40°C	-10°C to 40°C	-10°C to 40°C
Storage Temperature	-40°C to 85°C	-40°C to 85°C	-40°C to 85°C
Termination	Back & Side	Back & Side	Back & Side
Terminal Accom	18-12 AWG	18-12 AWG	18-12 AWG
Standards	UL 1472	UL 1472	UL 1472
Certifications	UL / CUL Listed	UL / CUL Listed	UL / CUL Listed
FCC Part15B	√	√	√

Dimensions

Height	106 ± 0.5mm
Width	43 ± 0.3mm
Depth	25 ± 0.3mm

Model: DM102 / DM102S / DM102SL



DM103



DM103S



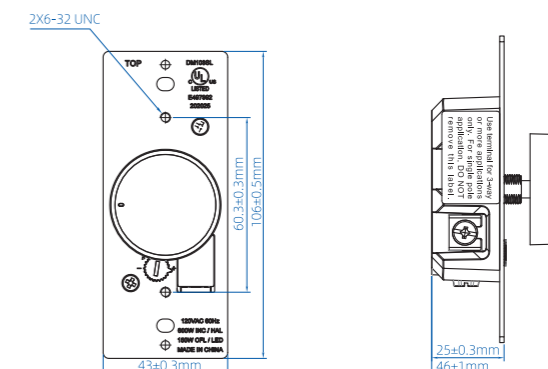
DM103SL

Rating Input	AC 120VC 60Hz	AC 120VC 60Hz	AC 120VC 60Hz
Rating Wattage	Incandescent 600W, LED / CFL 150W(1.5A)	Incandescent 600W, LED / CFL 150W(1.5A)	Incandescent 600W, LED / CFL 150W(1.5A)
Wiring Configurations	Single Pole / 3-Way	Single Pole / 3-Way	Single Pole / 3-Way
Switch Type	Push Switch	Push Switch	Push Switch
Dimming Type	Rotary dimming	Rotary dimming	Rotary dimming
Low-end Trim	x	√	√
LED Indicating Lamp	x	x	√
Fad on	x	x	x
Cover and Body Material	Thermoplastic	Thermoplastic	Thermoplastic
Flammability	V-2 per UL94	V-2 per UL94	V-2 per UL94
Operating Temperature	-10°C to 40°C	-10°C to 40°C	-10°C to 40°C
Storage Temperature	-40°C to 85°C	-40°C to 85°C	-40°C to 85°C
Termination	Back & Side	Back & Side	Back & Side
Terminal Accom	18-12 AWG	18-12 AWG	18-12 AWG
Standards	UL 1472	UL 1472	UL 1472
Certifications	UL / CUL Listed	UL / CUL Listed	UL / CUL Listed

Dimensions

Height	106 ± 0.5mm
Width	43 ± 0.3mm
Depth	25 ± 0.3mm

Model: DM103 / DM103S / DM103SL





SP170S

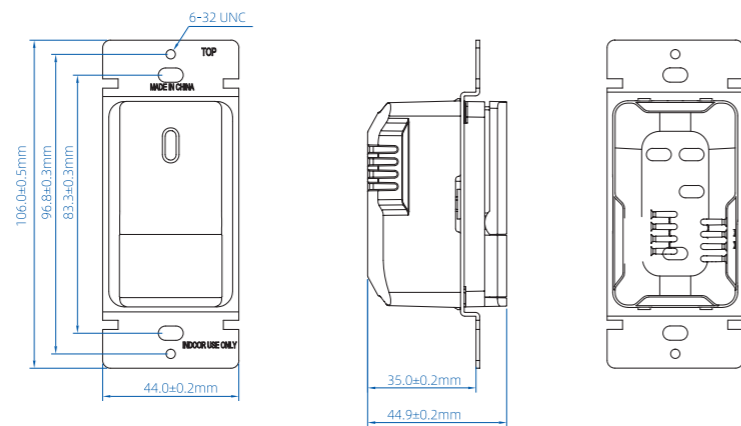


SP17VS

Rating Input	120V / 277V, 60Hz	120V / 277V, 60Hz
Sensor	Occupancy Sensor	Vacancy Sensor
Automatic ON	√	x
Automatic OFF	√	√
Wiring Type	Grounding Wire Required	Grounding Wire Required
Indicator light	x	x
Switch Type	Single Pole or 2 location control	Single Pole or 2 location control
Rating Wattage	300W LED and CFL, 600W Incandescent	300W LED and CFL, 600W Incandescent
Operating Temperature	-20°C to 40°C	-20°C to 40°C
Certifications	UL / CUL Listed	UL / CUL Listed
Color		

Dimensions

Height	106 ± 0.5mm
Width	54.0 ± 0.2mm
Depth	40.5 ± 0.2mm



Model: SP170S / SP17VS