

ELEGRP

USB CHARGER DEVICES

Make charging more convenient



ELLEGRR

The image features the word "ELLEGRR" in a large, white, sans-serif font. Each letter is filled with a different scene from a city at dusk or dawn. The 'E' shows a modern building. The 'L' features a tall skyscraper. The first 'E' contains a city skyline with birds flying above. The 'G' shows a city skyline with a sailboat in the foreground. The 'R' depicts a city skyline with a bridge. The final 'R' shows a suspension bridge. The background is a light blue sky with large, white, fluffy clouds. The overall aesthetic is clean and modern.

USB Charger Devices



MAKE CHARGING MORE CONVENIENT!

Keeping your phones, tablets and other electronic devices up and running is essential to staying connected to family, friends, and business. Don't take chances when you are charging your electronic devices. It is terrible when you stop to charge your phone, only to realize that you don't have the plug for your USB charger. How many charger plugs get left at home – or, worse, in a hotel room, at an airport waiting area or...who knows where? In order to meet the essential needs of consumers, ELEGRP utilizes advanced technology to produce the USB receptacles for fast, efficient charging backed by the quality you expect from the brand you trust.



With USB-C finally more-or-less standard across phones, tablets and laptops, and fewer and fewer manufacturers including chargers in the box with their products, a myriad of USB charging devices have become available that promise to get your batteries topped up as quickly as possible.

Unless you have ELEGRP USB outlets, which allows you to charge up multiple devices at once – without the mess and sacrificing valuable outlet space.

No matter what kinds of USB-powered devices you own, ELEGRP have picks to power them at their fastest charging speeds.

CC / CV (Constant Current / Constant Voltage) Mode Control

As many different types of electronic devices need constant voltage or constant current to operate, USB ports support the way to change the mode of CC / CV in different situation to ensure the process of charging in a good way.



Conventional USB Receptacles



High-Rated USB Receptacles



Quick Charge USB Receptacles

Backflow Protection

It provides the protection to prevent the electric current flow back from your devices to power supply.



Conventional USB Receptacles



High-Rated USB Receptacles



Quick Charge USB Receptacles

Universal Compatibility

2 high speed USB ports provide the fastest charging to iPhone, iPad, iPod, Samsung Galaxy/Note, Android mobile phones, E-readers, game systems, tablets, headsets and digital cameras, etc.



Load Line Compensation

Ensure constant charging voltage of USB port by automatically compensating the voltage as needed in case of the cable voltage drop of your devices.



Conventional USB Receptacles



High-Rated USB Receptacles



Quick Charge USB Receptacles

Overheating Protection

Build in one heat-sensing component to shut down the charger when excessive heat is generated within the USB receptacle, halting the temperature climb before it damages the device.



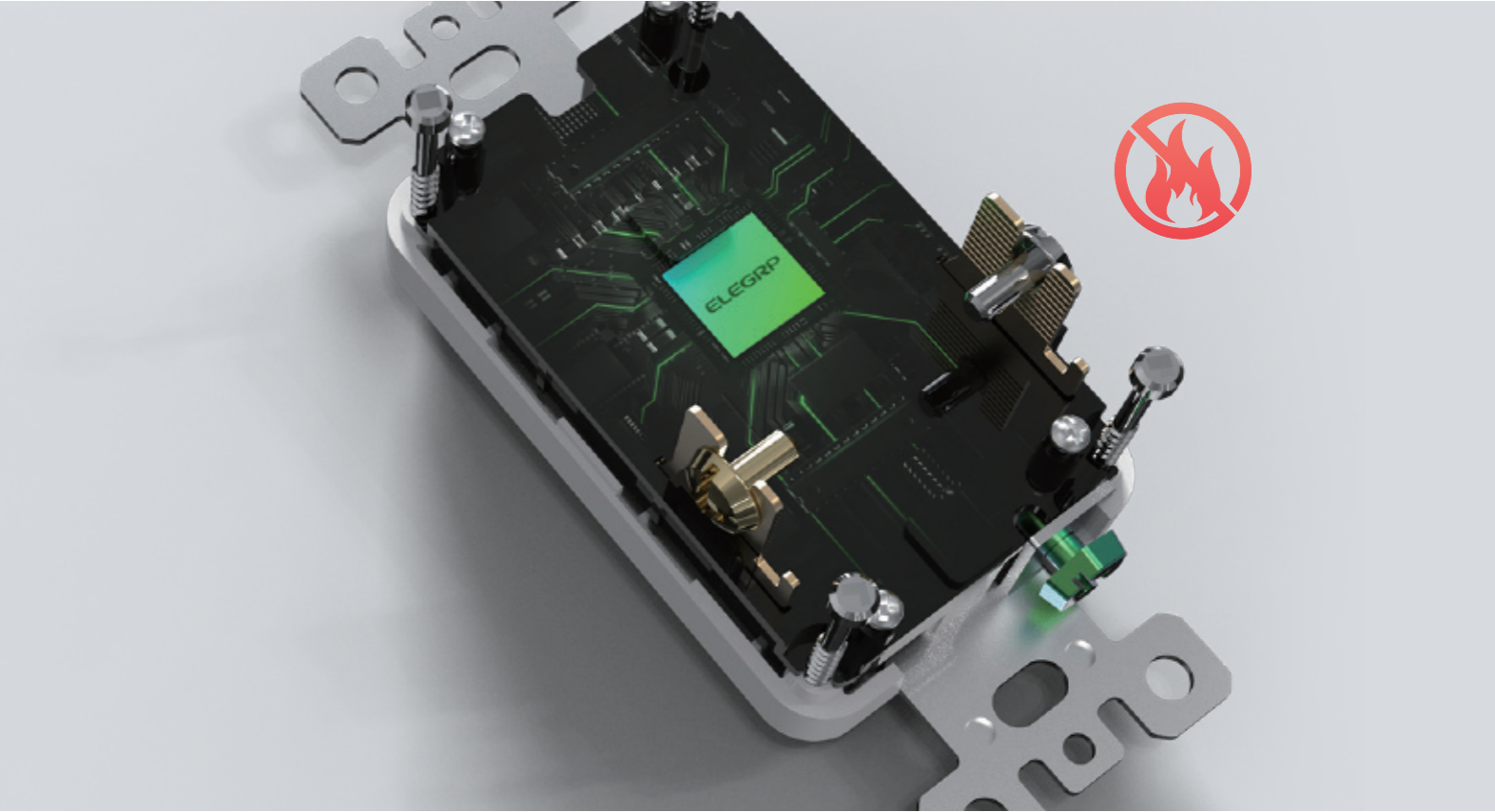
Conventional USB Receptacles

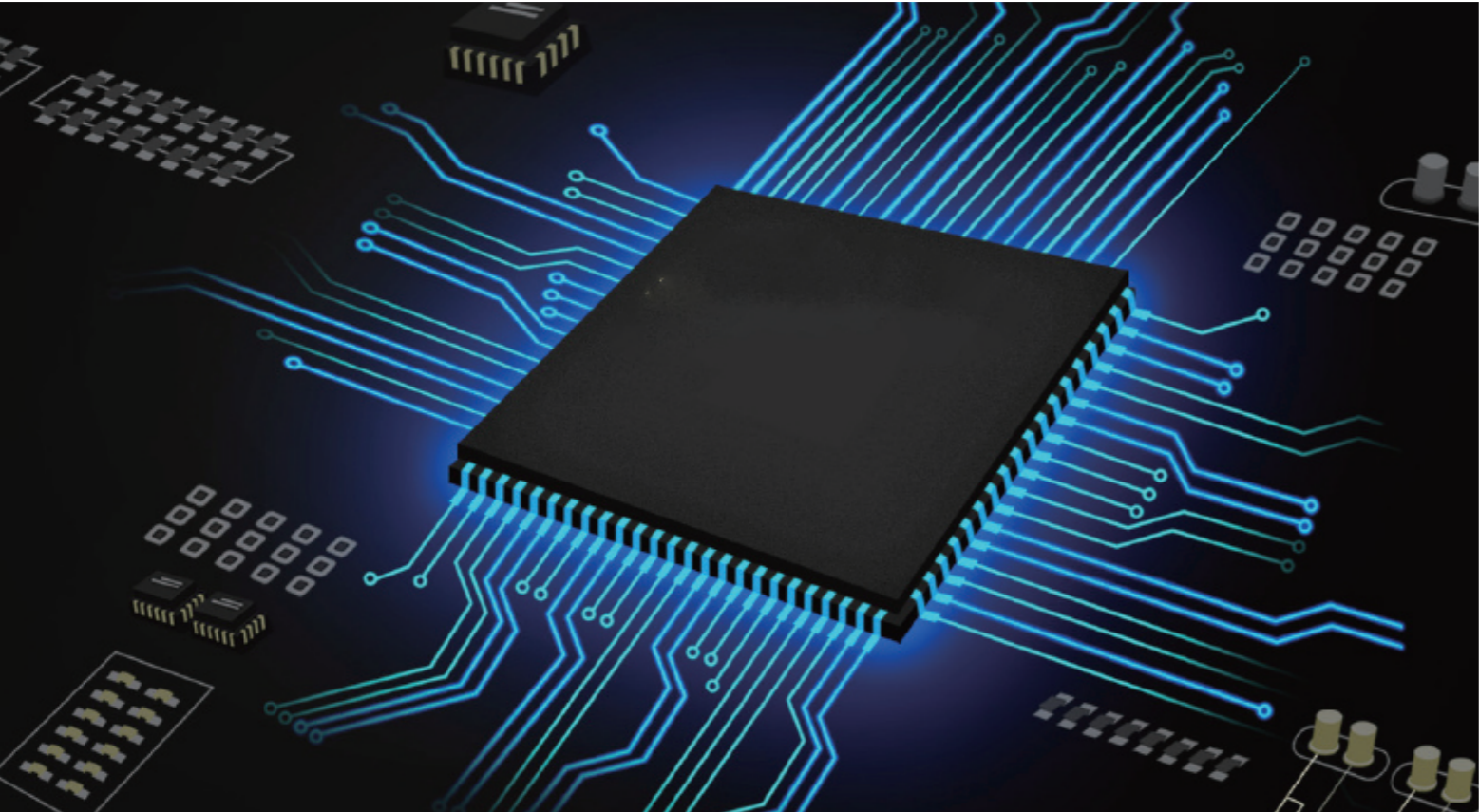


High-Rated USB Receptacles



Quick Charge USB Receptacles





Smart Chip

USB receptacles feature a smart chip that recognizes and optimizes the charging power of your electronic devices for fast and efficient charging of tablets, phones, gaming devices, e-readers and a host of other electronic devices.



High-Rated USB Receptacles



Quick Charge USB Receptacles

Quick Charge

Compatible with multiple protocols like PD 2.0, QC 3.0, QC 2.0, QC 1.0, FCP, AFC, DCP and so on, meet a variety of charging requirements to make sure your devices charged at blazing-fast speeds.

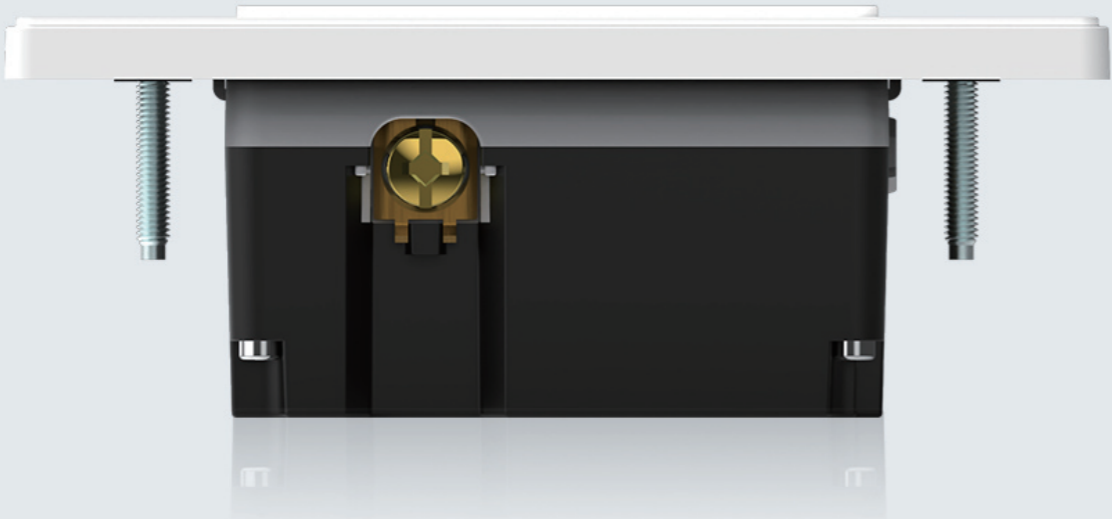


Quick Charge USB Receptacles



Durable Design

Exquisite matte finish and frameless design looks best with today's decors. Tough thermoplastic housing shrugs off impacts and scratches. Heavy duty design is made to last. Works with 12 or 14 AWG for back wiring. Replace an existing outlet in as short as 10 minutes. A screwless wall plate and complete installation instructions included. Compatible with all electrical boxes, decora devices and wall plates. FCC certified. UL and CUL listed.



Conventional USB Receptacles



High-Rated USB Receptacles



Quick Charge USB Receptacles

Tamper Resistant Outlets

Duplex 20 Amp receptacle comply with NEC requirement mandating that receptacles installed in dwelling units must be listed as tamper-resistant. Shutter mechanism inside the receptacle blocks the access to the contacts unless a two-or-three-prong plug is inserted, preventing young children from inserting unwanted objects into the outlets.





Educational Facilities

Classrooms, restrooms,
laboratories, dormitories
and kitchens.



Residence

Living rooms, kitchens,
bathrooms, bedrooms,
porch, laundry rooms,
basements, garages, etc.



Restaurants and retail malls

Airports

Public areas, lounges

Commercial Offices



R1615S30



R1615D30

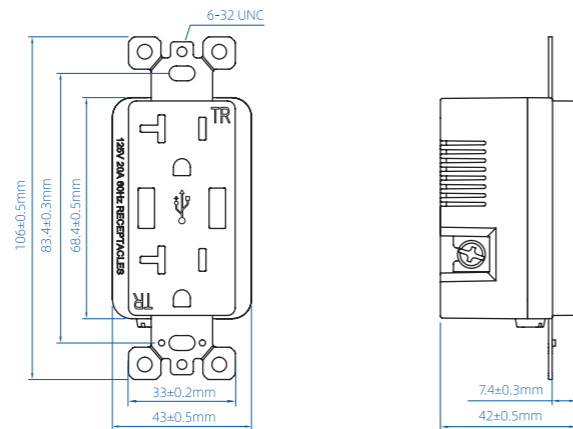


R1620D30

Operating Temperature	-20°C to 40°C	-20°C to 40°C	-20°C to 40°C
Rating	15A, 125V	15A, 125V	20A, 125V
NEMA	5-15R	5-15R	5-20R
Pole & Wire	2-Pole, 3-Wire	2-Pole, 3-Wire	2-Pole, 3-Wire
Finish	Glossy	Glossy	Glossy
Wiring Method	Side Wire & Black Wire	Side Wire & Black Wire	Side Wire & Black Wire
USB Type	Singel USB Port	Dual USB Port	Dual USB Port
USB Rating	5V, 3.0A, 15W	5V, 3.0A, 15W	5V, 3.0A, 15W
Charging Protocol	BC1.2	BC1.2	BC1.2
CC/CV	√	√	√
Load Line Compensation	√	√	√
Fast Charge	x	x	x
Color			

Dimensions

Height	106 ± 0.5mm
Width	43.0 ± 0.5mm
Depth	42.0 ± 0.5mm



Model: R1615S30/R1615D30/R1620D30



R1615S36



R1615D36

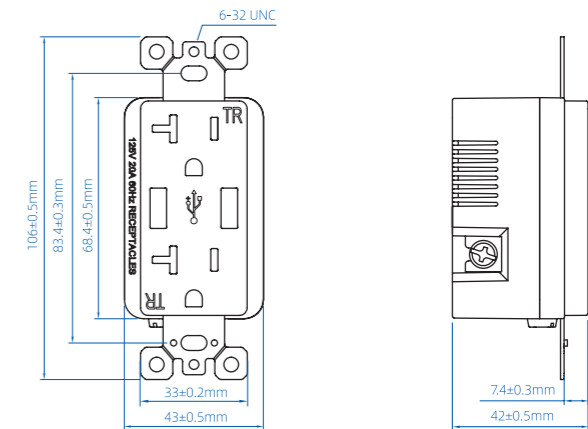


R1620D36

Operating Temperature	-20°C to 40°C	-20°C to 40°C	-20°C to 40°C
Rating	15A, 125V	15A, 125V	20A, 125V
NEMA	5-15R	5-15R	5-20R
Pole & Wire	2-Pole, 3-Wire	2-Pole, 3-Wire	2-Pole, 3-Wire
Finish	Glossy	Glossy	Glossy
Wiring Method	Side Wire & Black Wire	Side Wire & Black Wire	Side Wire & Black Wire
USB Type	Singel USB Port	Dual USB Port	Dual USB Port
USB Rating	5V, 3.6A, 18W	5V, 3.6A, 18W	5V, 3.6A, 18W
Charging Protocol	BC1.2	BC1.2	BC1.2
CC/CV	√	√	√
Load Line Compensation	√	√	√
Fast Charge	x	x	x
Color			

Dimensions

Height	106 ± 0.5mm
Width	43.0 ± 0.5mm
Depth	42.0 ± 0.5mm



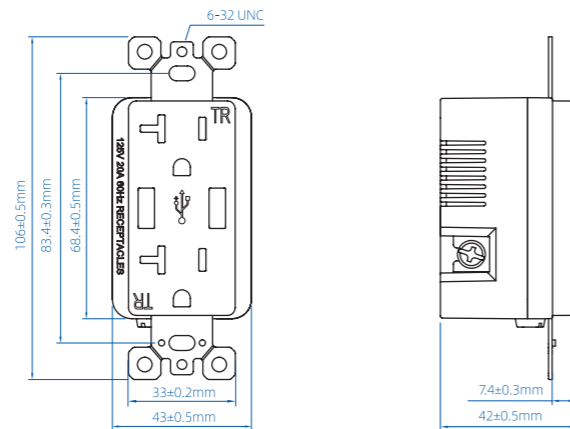
Model: R1615S36/R1615D36/R1620D36



Operating Temperature	-20°C to 40°C	-20°C to 40°C	-20°C to 40°C
Rating	125V, 60Hz	15A, 125V	20A, 125V
NEMA	N/A	5-15R	5-20R
Pole & Wire	N/A	2-Pole, 3-Wire	2-Pole, 3-Wire
Finish	Glossy	Glossy	Glossy
Wiring Method	Side Wire & Black Wire	Side Wire & Black Wire	Side Wire & Black Wire
USB Type	4Ports	Dual USB Port	Dual USB Port
USB Rating	5V, 4.0A, 20W	5V, 4.0A, 20W	5V, 4.0A, 20W
Charging Protocol	BC1.2	BC1.2/Apple/Samsung	BC1.2/Apple/Samsung
CC/CV	√	√	√
Load Line Compensation	√	√	√
Fast Charge	x	√	√
Color			

Dimensions

Height	106 ± 0.5mm
Width	43.0 ± 0.5mm
Depth	42.0 ± 0.5mm



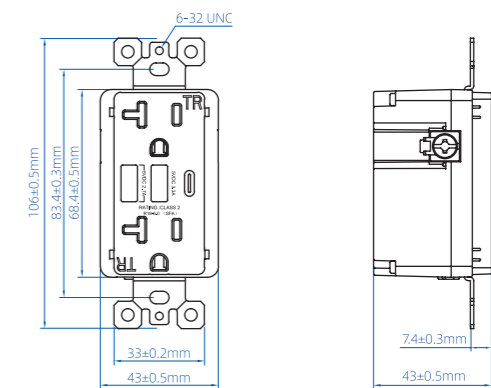
Model: R164U40/R1615D40/R1620D40



Operating Temperature	-20°C to 40°C	-20°C to 40°C	-20°C to 40°C
Rating	15A, 125V	20A, 125V	20A, 125V
NEMA	5-15R	5-20R	5-20R
Pole & Wire	2-Pole, 3-Wire	2-Pole, 3-Wire	2-Pole, 3-Wire
Finish	Matte	Matte	Matte
Wiring Method	Side Wire & Black Wire	Side Wire & Black Wire	Side Wire & Black Wire
USB Type	Dual Type A	Dual Type A	Type A & Type C
USB Rating	5V, 5.0A, 25W	5V, 5.0A, 25W	5V, 5.0A, 25W
Charging Protocol	BC1.2/Apple/Samsung	BC1.2/Apple/Samsung	BC1.2/Apple/Samsung/PD 3.0
CC/CV	CV only	CV only	CV only
Over Heating	x	x	x
Backflow Protection	x	x	x
Fast Charge	√	√	√
Color			

Dimensions

Height	106 ± 0.3mm
Width	43.0 ± 0.5mm
Depth	43.0 ± 0.5mm



Model: R1815D50AA/R1820D50AA/R1815D50AC



R1820D50AC



R1815D54AA

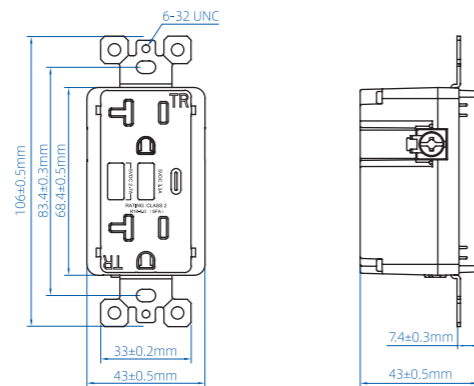


R1820D54AA

Operating Temperature	-20°C to 40°C	-20°C to 40°C	-20°C to 40°C
Rating	20A, 125V	15A, 125V	20A, 125V
NEMA	5-20R	5-15R	5-20R
Pole & Wire	2-Pole, 3-Wire	2-Pole, 3-Wire	2-Pole, 3-Wire
Finish	Matte	Matte	Matte
Wiring Method	Side Wire & Black Wire	Side Wire & Black Wire	Side Wire & Black Wire
USB Type	Type A & Type C	Dual Type A	Dual Type A
USB Rating	5V, 5.0A, 25W	5V, 5.4A, 27W	5V, 5.4A, 27W
Charging Protocol	BC1.2/Apple/Samsung/PD 3.0	DCP/BC1.2/Apple/Samsung	DCP/BC1.2/Apple/Samsung
CC/CV	CV only	√	√
Over Heating	x	√	√
Backflow Protection	x	√	√
Fast Charge	√	√	√
Color			

Dimensions

Height	106 ± 0.3mm
Width	43.0 ± 0.5mm
Depth	43.0 ± 0.5mm



Model: R1820D50AC/R1815D54AA/R1820D54AA



R1820D50AC



R1815D54AA

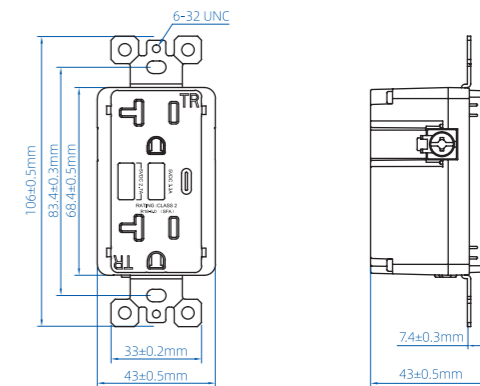


R1820D54AA

Operating Temperature	-20°C to 40°C	-20°C to 40°C	-20°C to 40°C
Rating	20A, 125V	15A, 125V	20A, 125V
NEMA	5-20R	5-15R	5-20R
Pole & Wire	2-Pole, 3-Wire	2-Pole, 3-Wire	2-Pole, 3-Wire
Finish	Matte	Matte	Matte
Wiring Method	Side Wire & Black Wire	Side Wire & Black Wire	Side Wire & Black Wire
USB Type	Type A & Type C	Dual Type A	Dual Type A
USB Rating	5V, 5.0A, 25W	5V, 5.4A, 27W	5V, 5.4A, 27W
Charging Protocol	BC1.2/Apple/Samsung/PD 3.0	DCP/BC1.2/Apple/Samsung	DCP/BC1.2/Apple/Samsung
CC/CV	CV only	√	√
Over Heating	x	√	√
Backflow Protection	x	√	√
Fast Charge	√	√	√
Color			

Dimensions

Height	106 ± 0.3mm
Width	43.0 ± 0.5mm
Depth	43.0 ± 0.5mm



Model: R1820D50AC/R1815D54AA/R1820D54AA



R1815D54AC



R1820D54AC

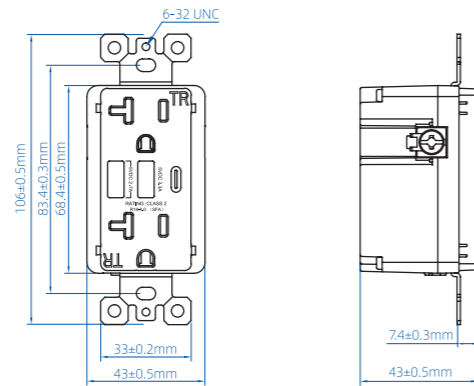


R1815D60AAA

Operating Temperature	-20°C to 40°C	-20°C to 40°C	-20°C to 40°C
Rating	15A, 125V	20A, 125V	15A, 125V
NEMA	5-15R	5-20R	5-15R
Pole & Wire	2-Pole, 3-Wire	2-Pole, 3-Wire	2-Pole, 3-Wire
Finish	Matte	Matte	Matte
Wiring Method	Side Wire & Black Wire	Side Wire & Black Wire	Side Wire & Black Wire
USB Type	Type A & Type C	Type A & Type C	3-Port Type A
USB Rating	5V, 5.4A, 27W	5V, 5.4A, 27W	5V, 6.0A, 30W
Charging Protocol	DCP/BC1.2/Apple/Samsung/PD 3.0	DCP/BC1.2/Apple/Samsung/PD 3.0	DCP/BC1.2/Apple/Samsung
CC/CV	√	√	√
Over Heating	√	√	√
Backflow Protection	√	√	√
Fast Charge	√	√	√
Color			

Dimensions

Height	106 ± 0.3mm
Width	43.0 ± 0.5mm
Depth	43.0 ± 0.5mm



Model: R1815D54AC/R1820D54AC/R1815D60AAA



R1820D60AAA



R1815D60AAC

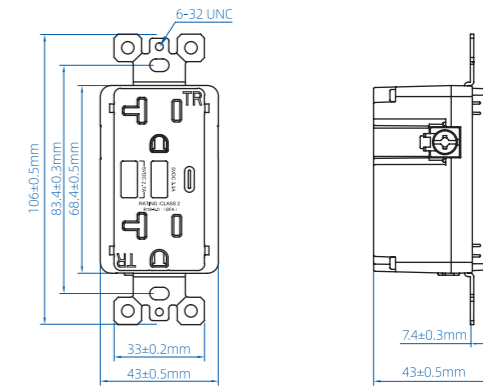


R1820D60AAC

Operating Temperature	-20°C to 40°C	-20°C to 40°C	-20°C to 40°C
Rating	20A, 125V	15A, 125V	20A, 125V
NEMA	5-20R	5-15R	5-20R
Pole & Wire	2-Pole, 3-Wire	2-Pole, 3-Wire	2-Pole, 3-Wire
Finish	Matte	Matte	Matte
Wiring Method	Side Wire & Black Wire	Side Wire & Black Wire	Side Wire & Black Wire
USB Type	3-Port Type A	Dual Type A & Type C	Dual Type A & Type C
USB Rating	5V, 6.0A, 30W	5V, 6.0A, 30W	5V, 6.0A, 30W
Charging Protocol	DCP/BC1.2/Apple/Samsung	DCP/BC1.2/Apple/Samsung/PD 3.0	DCP/BC1.2/Apple/Samsung/PD 3.0
CC/CV	√	√	√
Over Heating	√	√	√
Backflow Protection	√	√	√
Fast Charge	√	√	√
Color			

Dimensions

Height	106 ± 0.3mm
Width	43.0 ± 0.5mm
Depth	43.0 ± 0.5mm



Model: R1820D60AAA/R1815D60AAC/R1820D60AAC



R1815D60CCA



R1820D60CCA

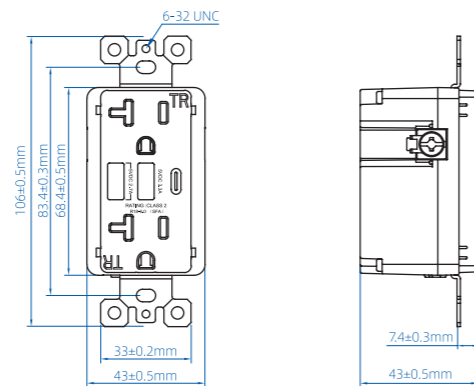


R1815D60CC

Operating Temperature	-20°C to 40°C	-20°C to 40°C	-20°C to 40°C
Rating	15A, 125V	20A, 125V	15A, 125V
NEMA	5-15R	5-20R	5-15R
Pole & Wire	2-Pole, 3-Wire	2-Pole, 3-Wire	2-Pole, 3-Wire
Finish	Matte	Matte	Matte
Wiring Method	Side Wire & Black Wire	Side Wire & Black Wire	Side Wire & Black Wire
USB Type	Type A & Dual Type C	Type A & Dual Type C	Dual Type C
USB Rating	5V, 6.0A, 30W	5V, 6.0A, 30W	5V, 6.0A, 30W
Charging Protocol	DCP/BC1.2/Apple/Samsung/PD 3.0	DCP/BC1.2/Apple/Samsung/PD 3.0	DCP/BC1.2/Apple/Samsung/PD 3.0
CC/CV	√	√	√
Over Heating	√	√	√
Backflow Protection	√	√	√
Fast Charge	√	√	√
Color			

Dimensions

Height	106 ± 0.3mm
Width	43.0 ± 0.5mm
Depth	43.0 ± 0.5mm



Model: R1815D60CCA/R1820D60CCA/R1815D60CC

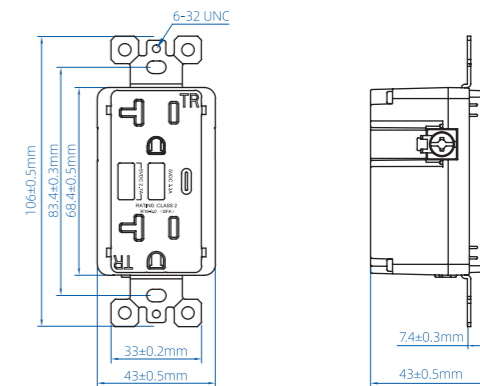


R1820D60CC

Operating Temperature	-20°C to 40°C
Rating	20A, 125V
NEMA	5-20R
Pole & Wire	2-Pole, 3-Wire
Finish	Matte
Wiring Method	Side Wire & Black Wire
USB Type	Dual Type C
USB Rating	5V, 6.0A, 30W
Charging Protocol	DCP/BC1.2/Apple/Samsung/PD 3.0
CC/CV	√
Over Heating	√
Backflow Protection	√
Fast Charge	√
Color	

Dimensions

Height	106 ± 0.3mm
Width	43.0 ± 0.5mm
Depth	43.0 ± 0.5mm



Model: R1820D60CC



ERU2230AC1A

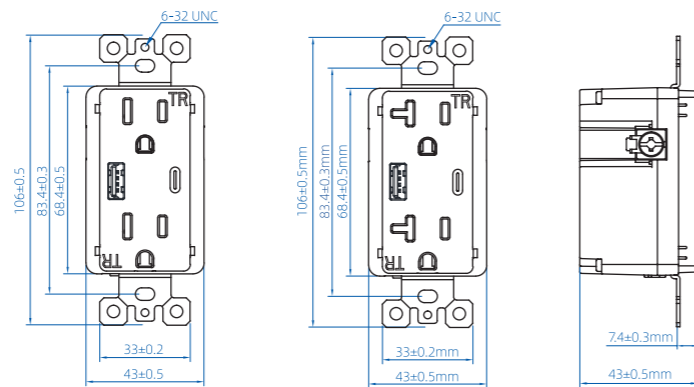


ERU2230AC2A

Operating Temperature	-20°C to 40°C	-20°C to 40°C
Rating	15A, 125V	20A, 125V
NEMA	5-15R	5-20R
Pole & Wire	2-Pole, 3-Wire	2-Pole, 3-Wire
Finish	Matte	Matte
Wiring Method	Lead Wire	Lead Wire
USB Type	1*USB-A+1*USB-C	1*USB-A+1*USB-C
USB Rating	Type C:5V/3A;9V/3A;12V/2.5A;15V/2A;20V/1.5A; Type A:5V/3A;9V/3A;12V/2.25A; Type C+ Type A:5V/3A(Type C);5V/2.4A(Type A);	
Charging Protocol	PD3.0; QC3.0; AFC; FCP; BC1.2	PD3.0; QC3.0; AFC; FCP; BC1.2
CC/CV	√	√
Load Line Compensation	√	√
Fast Charge	√	√
Color		

Dimensions

Height	106 ± 0.3mm
Width	43.0 ± 0.5mm
Depth	43.0 ± 0.5mm



Model: ERU2230AC1A/ERU2230AC2A



ERU2230CC1A

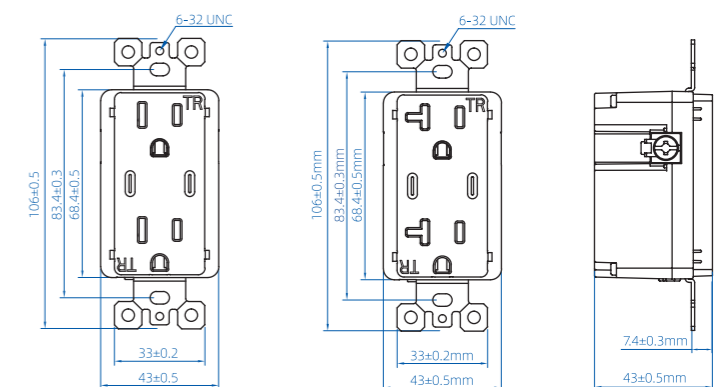


ERU2230CC2A

Operating Temperature	-20°C to 40°C	-20°C to 40°C
Rating	15A, 125V	20A, 125V
NEMA	5-15R	5-20R
Pole & Wire	2-Pole, 3-Wire	2-Pole, 3-Wire
Finish	Matte	Matte
Wiring Method	Lead Wire	Lead Wire
USB Type	2*USB-C	2*USB-C
USB Rating	Type C1:5V/3A;9V/3A;12V/2.5A;15V/2A;20V/1.5A; Type C2:5V/3A;9V/3A;12V/2.5A;15V/2A;20V/1.5A; Type C1+ Type C2:5V/3A(Type C1);5V/3A(Type C2);	
Charging Protocol	PD3.0; QC3.0; AFC; FCP; BC1.2	PD3.0; QC3.0; AFC; FCP; BC1.2
CC/CV	√	√
Load Line Compensation	√	√
Fast Charge	√	√
Color		

Dimensions

Height	106 ± 0.3mm
Width	43.0 ± 0.5mm
Depth	43.0 ± 0.5mm



Model: ERU2230CC1A/ERU2230CC2A



ERU2345CC1A

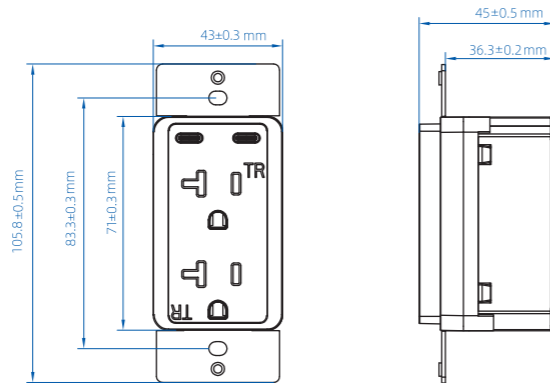


ERU2345CC2A

Operating Temperature	-20°C to 40°C	-20°C to 40°C
Rating	15A, 125V	20A, 125V
NEMA	5-15R	5-20R
Pole & Wire	2-Pole, 3-Wire	2-Pole, 3-Wire
Finish	Matte	Matte
Wiring Method	Lead Wire	Lead Wire
USB Type	2*USB-C	2*USB-C
USB Rating	Type C1:5V/3A;9V/3A;12V/3A;15V/3A;20V/2.25A; Type C2:5V/3A;9V/3A;12V/3A;15V/3A;20V/2.25A; Type C1+ Type C2: 5V/3A;9V/2.22A;12V/1.66A;(Type C1); 5V/3A;9V/2.22A;12V/1.66A;(Type C2);	
Charging Protocol	PD3.0; QC3.0; AFC; FCP; BC1.2	PD3.0; QC3.0; AFC; FCP; BC1.2
CC/CV	√	√
Load Line Compensation	√	√
Fast Charge	√	√
Color		

Dimensions

Height	106 ± 0.3mm
Width	43.0 ± 0.5mm
Depth	43.0 ± 0.5mm



Model: ERU2345CC1A/ERU2345CC2A
ERU2365CC1A/ERU2365CC2A



ERU2365CC1A

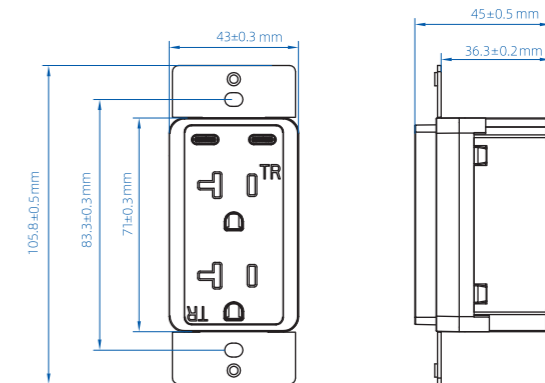


ERU2365CC2A

Operating Temperature	-20°C to 40°C	-20°C to 40°C
Rating	15A, 125V	20A, 125V
NEMA	5-15R	5-20R
Pole & Wire	2-Pole, 3-Wire	2-Pole, 3-Wire
Finish	Matte	Matte
Wiring Method	Lead Wire	Lead Wire
USB Type	2*USB-C	2*USB-C
USB Rating	Type C1:5V/3A;9V/3A;12V/3A;15V/3A;20V/3.25A; Type C2:5V/3A;9V/3A;12V/3A;15V/3A;20V/3.25A; Type C1+ Type C2:5V/3A;9V/3A;12V/2.5A;15V/2A;20V/1.5A;(Type C1); 5V/3A;9V/3A;12V/2.5A;15V/2A;20V/1.5A;(Type C2);	
Charging Protocol	PD3.0; QC3.0; AFC; FCP; BC1.2	PD3.0; QC3.0; AFC; FCP; BC1.2
CC/CV	√	√
Load Line Compensation	√	√
Fast Charge	√	√
Color		

Dimensions

Height	106 ± 0.3mm
Width	43.0 ± 0.5mm
Depth	43.0 ± 0.5mm



Model: ERU2345CC1A/ERU2345CC2A
ERU2365CC1A/ERU2365CC2A



R1815DPD20AC



R1820DPD20AC

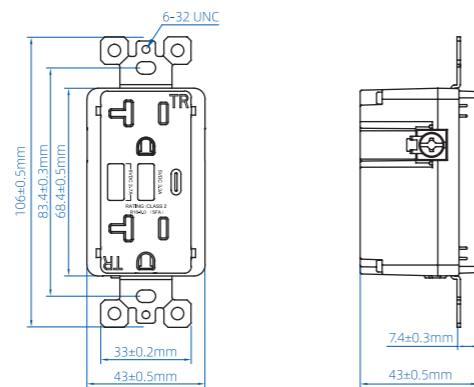


R1815DPD20CC

Operating Temperature	-20°C to 40°C	-20°C to 40°C	-20°C to 40°C
Rating	15A, 125V	20A, 125V	15A, 125V
NEMA	5-15R	5-20R	5-15R
Pole & Wire	2-Pole, 3-Wire	2-Pole, 3-Wire	2-Pole, 3-Wire
Finish	Matte	Matte	Matte
Wiring Method	Side Wire & Black Wire	Side Wire & Black Wire	Side Wire & Black Wire
USB Type	Type A & Type C	Type A & Type C	Dual Type C
USB Rating	36W	36W	36W
Charging Protocol	PD2.0/QC3.0/AFC/ Apple/Samsung	PD2.0/QC3.0/AFC/ Apple/Samsung	PD2.0/QC3.0/AFC/ Apple/Samsung
CC/CV	√	√	√
Load Line Compensation	√	√	√
Over Heating	√	√	√
Backflow Protection	√	√	√
Quick Charge	√	√	√
Color			

Dimensions

Height	106 ± 0.3mm
Width	43.0 ± 0.5mm
Depth	43.0 ± 0.5mm



Model: R1815DPD20AC/R1820DPD20AC/R1815DPD20CC



R1820DPD20CC



R1815DQC30AA

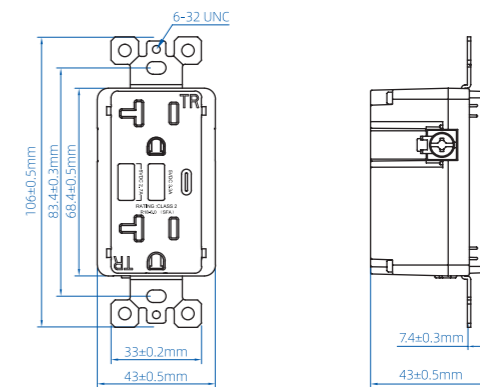


R1820DQC30AA

Operating Temperature	-20°C to 40°C	-20°C to 40°C	-20°C to 40°C
Rating	20A, 125V	15A, 125V	20A, 125V
NEMA	5-20R	5-15R	5-20R
Pole & Wire	2-Pole, 3-Wire	2-Pole, 3-Wire	2-Pole, 3-Wire
Finish	Matte	Matte	Matte
Wiring Method	Side Wire & Black Wire	Side Wire & Black Wire	Side Wire & Black Wire
USB Type	Dual Type C	Dual Type A	Dual Type A
USB Rating	36W	36W	36W
Charging Protocol	PD2.0/QC3.0/AFC/ Apple/Samsung	QC3.0/AFC/Apple/ Samsung	QC3.0/AFC/Apple/ Samsung
CC/CV	√	√	√
Load Line Compensation	√	√	√
Over Heating	√	√	√
Backflow Protection	√	√	√
Quick Charge	√	√	√
Color			

Dimensions

Height	106 ± 0.3mm
Width	43.0 ± 0.5mm
Depth	43.0 ± 0.5mm



Model: R1820DPD20CC/R1815DQC30AA/R1820DQC30AA



R1815DQC30AC

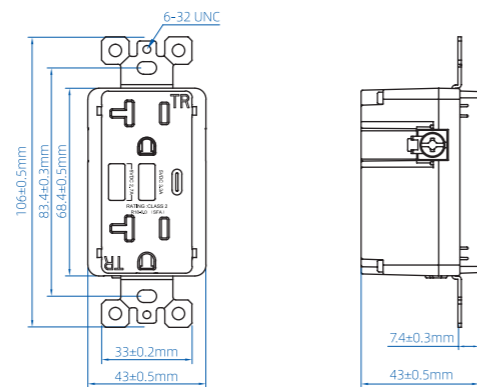


R1820DQC30AC

Operating Temperature	-20°C to 40°C	-20°C to 40°C
Rating	15A, 125V	20A, 125V
NEMA	5-15R	5-20R
Pole & Wire	2-Pole, 3-Wire	2-Pole, 3-Wire
Finish	Matte	Matte
Wiring Method	Side Wire & Black Wire	Side Wire & Black Wire
USB Type	Type A & Type C	Type A & Type C
USB Rating	36W	36W
Charging Protocol	QC3.0/AFC/Apple/Samsung	QC3.0/AFC/Apple/Samsung
CC/CV	√	√
Load Line Compensation	√	√
Over Heating	√	√
Backflow Protection	√	√
Quick Charge	√	√
Color		

Dimensions

Height	106 ± 0.3mm
Width	43.0 ± 0.5mm
Depth	43.0 ± 0.5mm



Model: R1815DQC30AC/R1820DQC30AC

ELEGRP

contact@elegroup.com

1-866-267-3272

<https://www.elegroup.com>